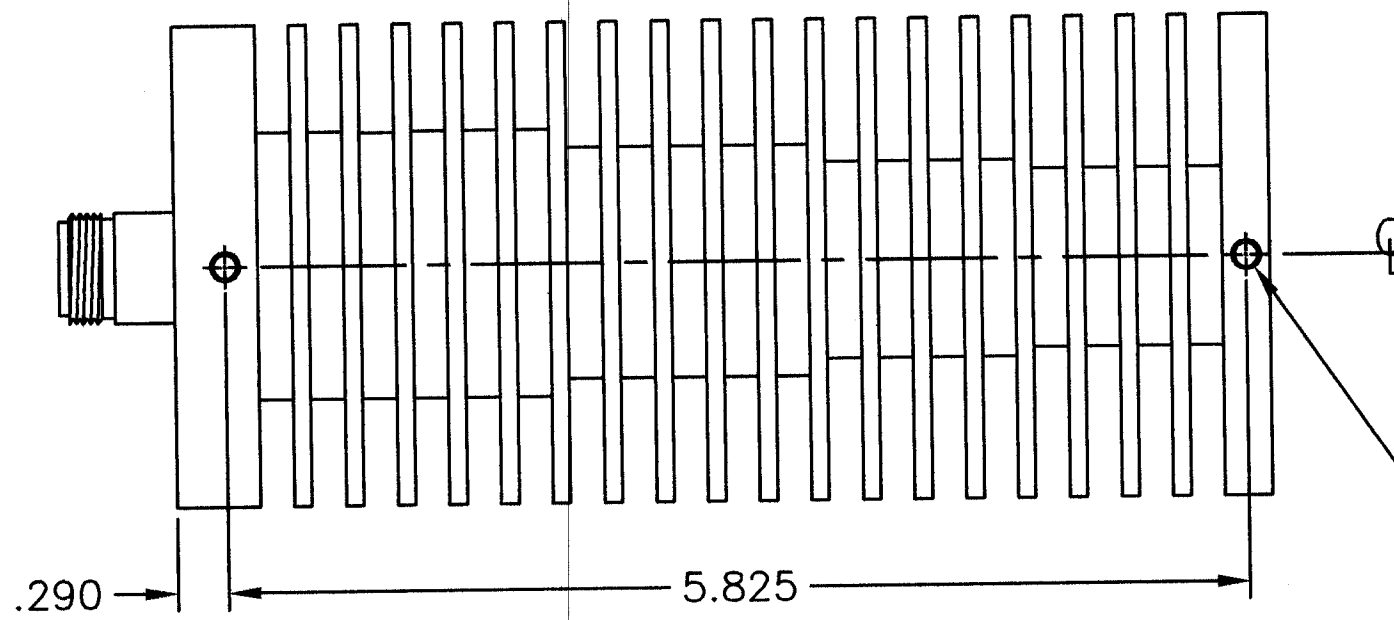
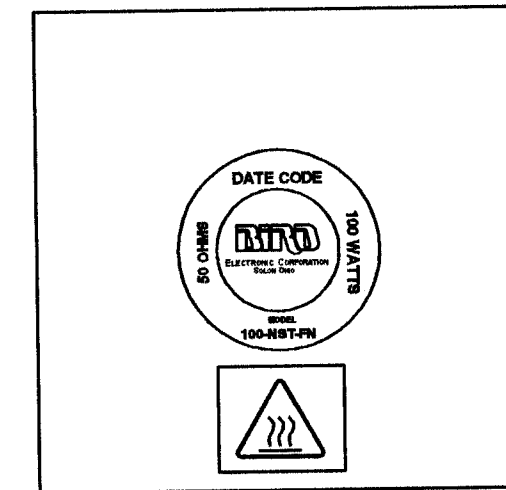
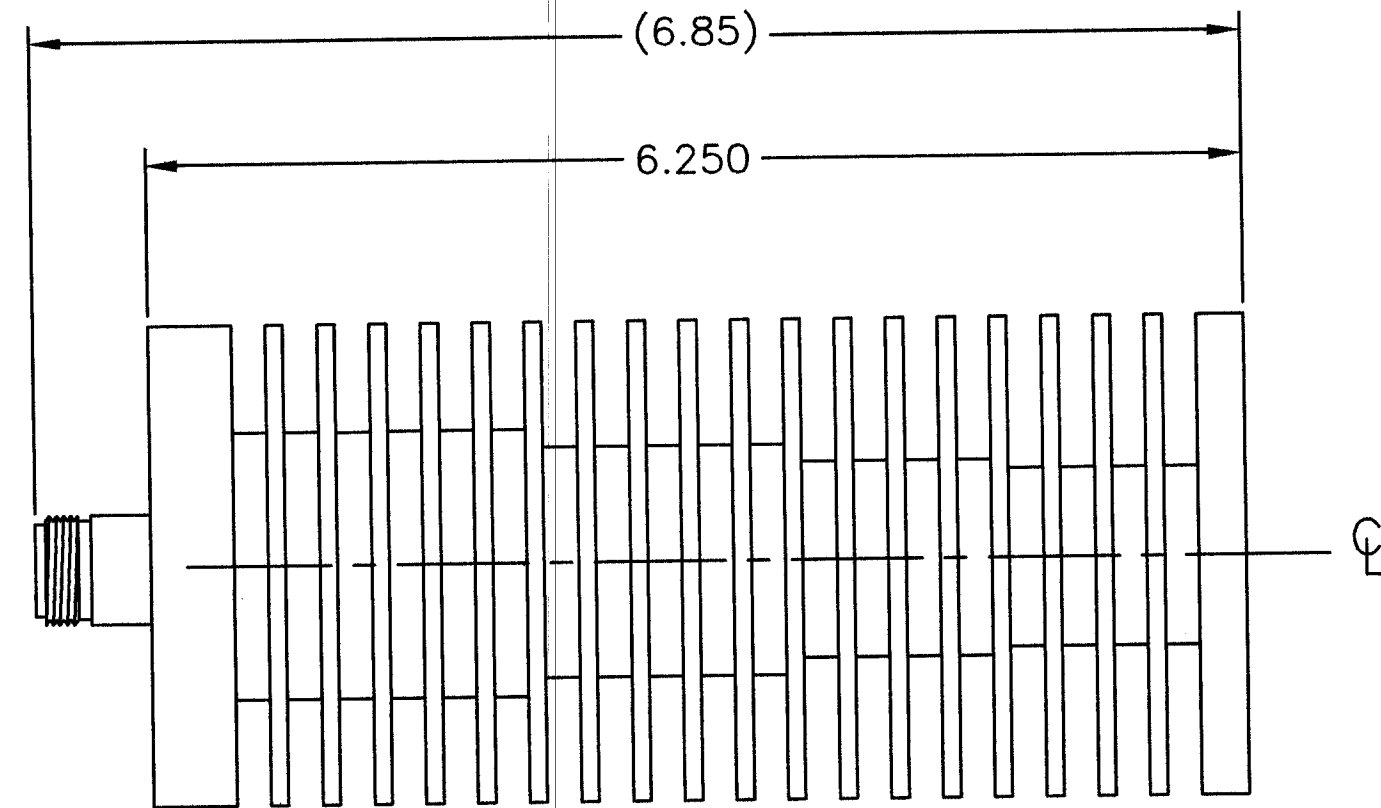
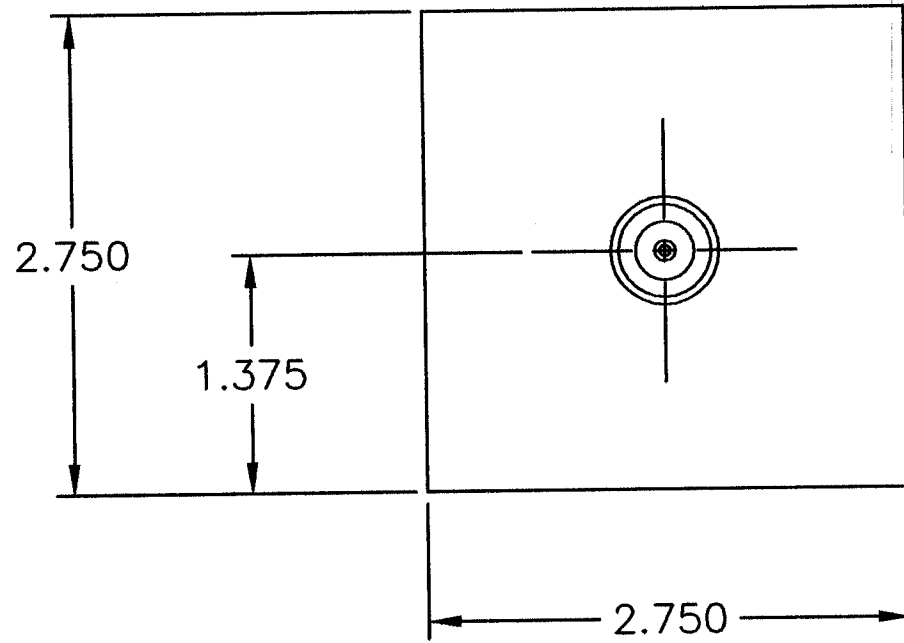


SPECIFICATIONS:
 IMPEDANCE: 50 OHMS NOMINAL
 FREQUENCY RANGE: DC TO 3 GHz
 VSWR: DC TO 1GHz AT 1.10:1 MAX.
 1GHz TO 3 GHz AT 1.15:1 MAX.
 POWER RATING: 100 WATTS MAX. @ 25°C.
 COOLING FIN: ALUMINUM, BLACK ANODIZED
 HEAT SPREADER: ALUMINUM, TRI-ALLOY PLATED
 CONNECTOR: N-TYPE FEMALE, TRI-ALLOY PLATED
 OPERATING POSITION: ANY
 NOMINAL SIZE: APPROX. 6.850" L. X 2.750" SQ.
 WEIGHT: 42 OZ. MAX.

REVISIONS		DWG. NO.	100-NST-FN	SHEET	REV
ZONE	REV	DESCRIPTION	DATE	1	A
	A	CONVERT TO BEC FORMAT	DMR 3-3-03		



2x 6-32UNC-2B X .375 DEEP MOUNTING HOLES

- NOTES:
- ☒ 1. PART MUST BE BURR FREE.
 - ☒ 2. CHAMFER 1st THREAD.
 - ☒ 3. 63 MICRINCH UNLESS OTHERWISE SPECIFIED.
 - ☐ 4. PER BPS _____.
 - ☒ 5. .005 RADIUS ON ALL INSIDE & OUTSIDE CORNERS UNLESS OTHERWISE SPECIFIED.

DIMENSIONS HEREON ARE FOR CUSTOMER CONVENIENCE AND REFERENCE ONLY. TOLERANCE TO BE APPLIED ONLY WHERE INDIVIDUALLY STATED ON THE RESPECTIVE DIMENSION. -DO NOT SCALE DRAWING-

UNLESS OTHERWISE SPECIFIED DIMENSIONS ARE IN INCHES TOLERANCES ARE:		MILLIMETERS .X = ±.4 .XX = ±.12		THIS DRAWING IS THE PROPERTY OF THE BIRD ELECTRONIC CORPORATION. THE DESIGNS AND SPECIFICATIONS DISCLOSED HEREON ARE PROPRIETARY AND SHALL NOT BE REPRODUCED, NOR COPIED, NOR USED AS THE BASIS FOR THE MANUFACTURE OR SALE OF APPARATUS OR DEVICES WITHOUT THEIR EXPRESS WRITTEN CONSENT.		 BIRD Electronic Corporation Cleveland (Solon) Ohio USA	
FRACTIONS DECIMALS ANGLES ± 1/84 ±.010 ± 30'		DO NOT SCALE DRAWING		APPROVALS		DATE	
MATERIAL		DRAWN D.M.RINK		3-3-03		TITLE	
FINISH		APPROVED <i>MAREY</i>		5-2-03		TERMINATION, CONVECTION COOLED AXIAL N-TYPE FEMALE, AIN SUBSTRATE, 100W	
		AUTOCAD		SCALE 1:1		SIZE FSCM NO. DWG. NO. REV	
				COMM CODE LD1		70998 100-NST-FN A	
				SHEET 1 OF 1			